

Multimedia kiosk VERSATouch Light



INSTALLATION AND USE MANUAL

INDEX

Page 3 - Dimensional layout of VERSATouch Light 22" kiosk

Page 5 - Precautions

Page 6 - Installation environment

Page 7 - Assembly material

Page 8 - Opening and closing the door

Page 9 - Provisions for securing the device

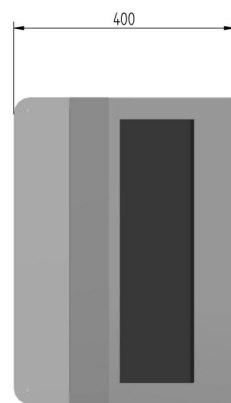
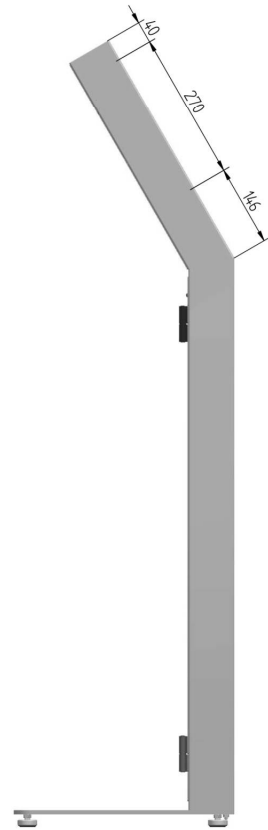
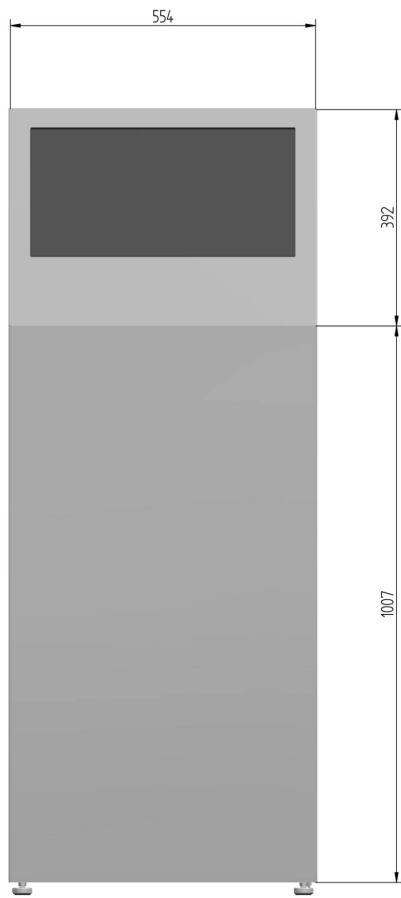
Page 10 – Power connection

Page 11 - Turning the kiosk on and off

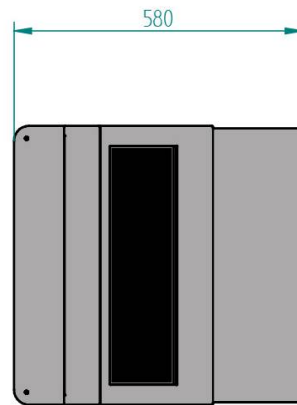
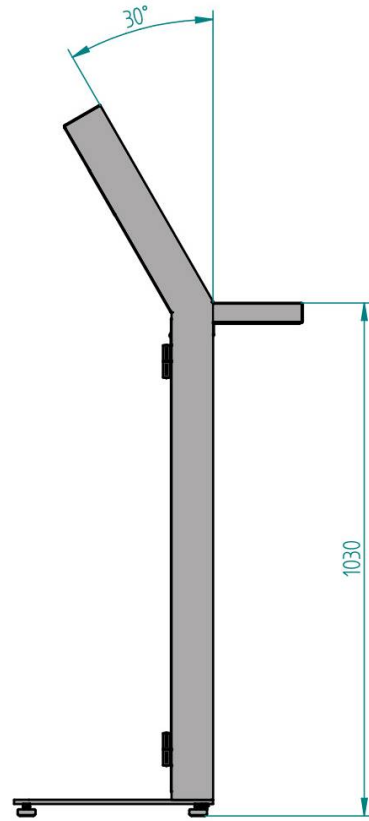
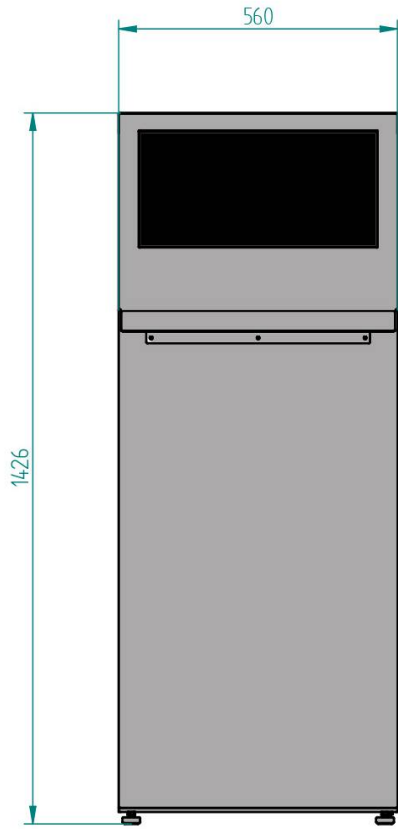
Page 12 - Maintenance of integrated devices

Page 13 - Device maintenance

Page 14 - Manufacturer references



DIMENSIONAL LAYOUT KIOSK VERSATOUCH LIGHT 22"



DIMENSIONAL LAYOUT KIOSK VERSATOUCH LIGHT 22" WITH KEYBOARD SHELF

PRECAUTIONS

READ CAREFULLY BEFORE USE

Before installing, turning on and using the kiosk, carefully read the following precautions for use:

- **Product intended for internal use, to be protected against atmospheric agents, dust and liquids.**
- **Do not lean on, climb or hold on to the kiosk.**
- **Install the kiosk on horizontal and regular floors with no unevenness, avoid positioning on raised floors or floating floors. Place the device with the back facing near a wall.**
- **In places of passage, make sure that the kiosk does not obstruct escape routes and emergency exits. Use by children must take place under the supervision of an adult.**
- **In places public places, offices, working environments or in areas of intense traffic and for all versions of the device equipped with a keyboard shelf, provide a fixing that prevents the device from tipping over or drifting due to pushes or impacts. The fixing must be mechanical to the structure and not delegated to the electrical power cable as reported in the chapter SAFETY PROVISIONS OF THE DEVICE.**
- **Use the wheels (where provided) only for small movements on smooth, horizontal floors. In public places, offices, work environments or in areas of intense traffic, provide a fixing that prevents it from drifting and overturning due to pushes or impacts. The fixing must be mechanical to the structure and not delegated to the electrical power cable as reported in the chapter SAFETY PROVISIONS OF THE DEVICE.**
- **Do not use multiple power supplies to connect the kiosk to the electrical system. The kiosk plug must be connected to a socket with an earthing pin.**
- **The socket must be installed near the equipment and be easily accessible. The power cord must not be tense.**
- **Do not modify the connections on the power strip inside the kiosk, do not disconnect the connected plugs and do not insert plugs into any available sockets on the power strip located inside the kiosk.**
- **The kiosk is equipped with a rear door with key locks that protects access to the internal area by non-maintenance users. The kiosk door must therefore always be closed using the appropriate keys provided.**
- **During installation, pay maximum attention to the positioning of the power cable and the internal cables of the kiosk. Do not place the power cord under the feet/wheels of the kiosk.**
- **During assembly and subsequent closing of the door, make sure that no internal cables are crushed. Before connecting the kiosk to the electricity mains, carefully check that none of the power cables inside or outside the kiosk show signs of wear or tear. If a cable shows signs of wear or tear, do not connect the kiosk to the power socket, contact the manufacturer directly.**
- **Do not crush, twist or excessively pull the kiosk power cable and the cables positioned inside the kiosk, pay maximum attention not to damage the protective sheath.**
- **Do not disassemble or damage the kiosk components, do not insert or connect components without prior authorization from the manufacturer.**
- **During operation, do not insert fingers between the cooling fan blades.**
- **When the kiosk is not in use, disconnect the main power cable.**
- **For any doubts or operating problems, contact the manufacturer/distributor whose references are given at the end of this manual.**

INSTALLATION ENVIRONMENT

READ CAREFULLY BEFORE USE

Before installing, turning on and using the kiosk, carefully read the following precautions for use:

- **Protection from electric shock is based on a correct connection to the protective earth: the electrical system to which the equipment must be connected must comply with current legislation.**
- **The equipment must be protected upstream by the customer via a differential switch.**
- **Product intended for internal use, to be protected against atmospheric agents, dust and liquids**
- **Product not intended for domestic use**
- **Install the kiosk on horizontal and regular surfaces without unevenness, avoid positioning on raised floors or floating floors. Place the device with the back facing near a wall.**
- **In places of passage, make sure that the kiosk does not obstruct escape routes and emergency exits. Use by children must take place under the supervision of an adult.**
- **In public places, offices, working environments or in areas of intense traffic and for all versions of the device equipped with a keyboard shelf, provide a fixing that prevents the device from tipping over or drifting due to pushes or impacts. The fixing must be mechanical to the structure and not delegated to the electrical power cable as reported in the chapter SAFETY PROVISIONS OF THE DEVICE.**
- **In public places, offices, work environments or in areas of intense traffic, use the wheels (where provided) only for small movements on smooth, horizontal floors. Once the kiosk has been replaced in the position of use, provide a fixing that prevents it from drifting and overturning due to pushes or impacts. The fixing must be mechanical to the structure and not delegated to the electrical power cable. The fixing must be mechanical to the structure and not delegated to the electrical power cable as reported in the chapter SAFETY PROVISIONS OF THE DEVICE.**
- **This product must be used in environments with temperatures varying between 0°C and 40°C**
- **This product must be used in environments with non-condensed relative humidity values varying between 20% and 60% and without the presence of oily mists or similar.**
- **Avoid prolonged exposure of the kiosk to sunlight or other heat sources. Leave sufficient distance between the kiosk and the wall to allow heat to dissipate.**

ASSEMBLY MATERIAL

- WHEELS/FEET FOR BASE (4 pieces)
- REAR DOOR KEY (1 piece)
- SPACERS FOR BASE FIXING (2 pieces)

OPENING THE DOOR AND INSTALLING THE FEET



The door positioned in the rear part provides access to the kiosk components and is equipped with 1 or 2 key locks depending on the model.

To open and close use the key supplied by turning it $\frac{1}{4}$ turn.

⚠ CAUTION

During assembly and subsequent closing of the door, make sure that no internal cables are crushed.

The kiosk door must therefore always be closed using the appropriate keys provided to prevent access by non-maintenance personnel.

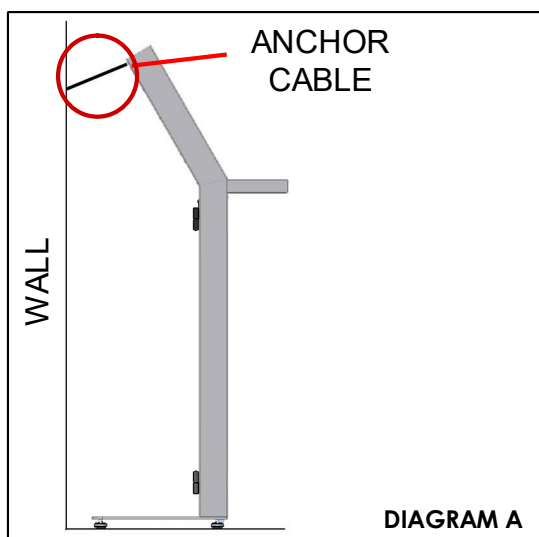
Screw the feet/wheels into the appropriate threaded holes located on the base of the kiosk. Screw in the rear feet/wheels until the end of the threaded stem reaches the surface of the base itself.

Place the kiosk in a vertical position and adequately adjust the feet to stabilize the entire structure, subsequently blocking them with the appropriate nuts.

⚠ CAUTION

Carefully level the kiosk so that the base is perfectly horizontal. If necessary, use a bubble level.

PROVISIONS FOR THE SAFETY OF THE DEVICE



In public places, offices, production environments or in areas of intense traffic and for all versions of the device equipped with a keyboard shelf, provide a fixing that prevents the device from overturning due to pushes or impacts.

To ensure the stability of the device you can proceed as follows:

1. Unscrew the feet positioned at the rear
2. Pre-drill the support surface appropriately (if using dowels)
3. Using the holes present in the rear part of the base, fix the device using 2 self-tapping screws or plugs depending on the type of support surface, interposing the appropriate spacers

Alternatively, it is possible to use the threaded hole present in the upper rear part of the device to block an anchor cable which, if suitably fixed to the opposite end to a wall, can prevent the kiosk from overturning (Diagram A)

After carrying out the procedures described above, test their effectiveness. If the check is unsuccessful or it is not possible to comply with the safety provisions, contact the manufacturer to request the optional anti-tipping kit.

POWER CONNECTION

After connecting the power cable to a 220 V 50 Hz socket, press the main switch button.

⚠ CAUTION

Do not crush the power cable under the feet of the base, pay maximum attention not to damage the protective sheath. The power cord must not be tense.

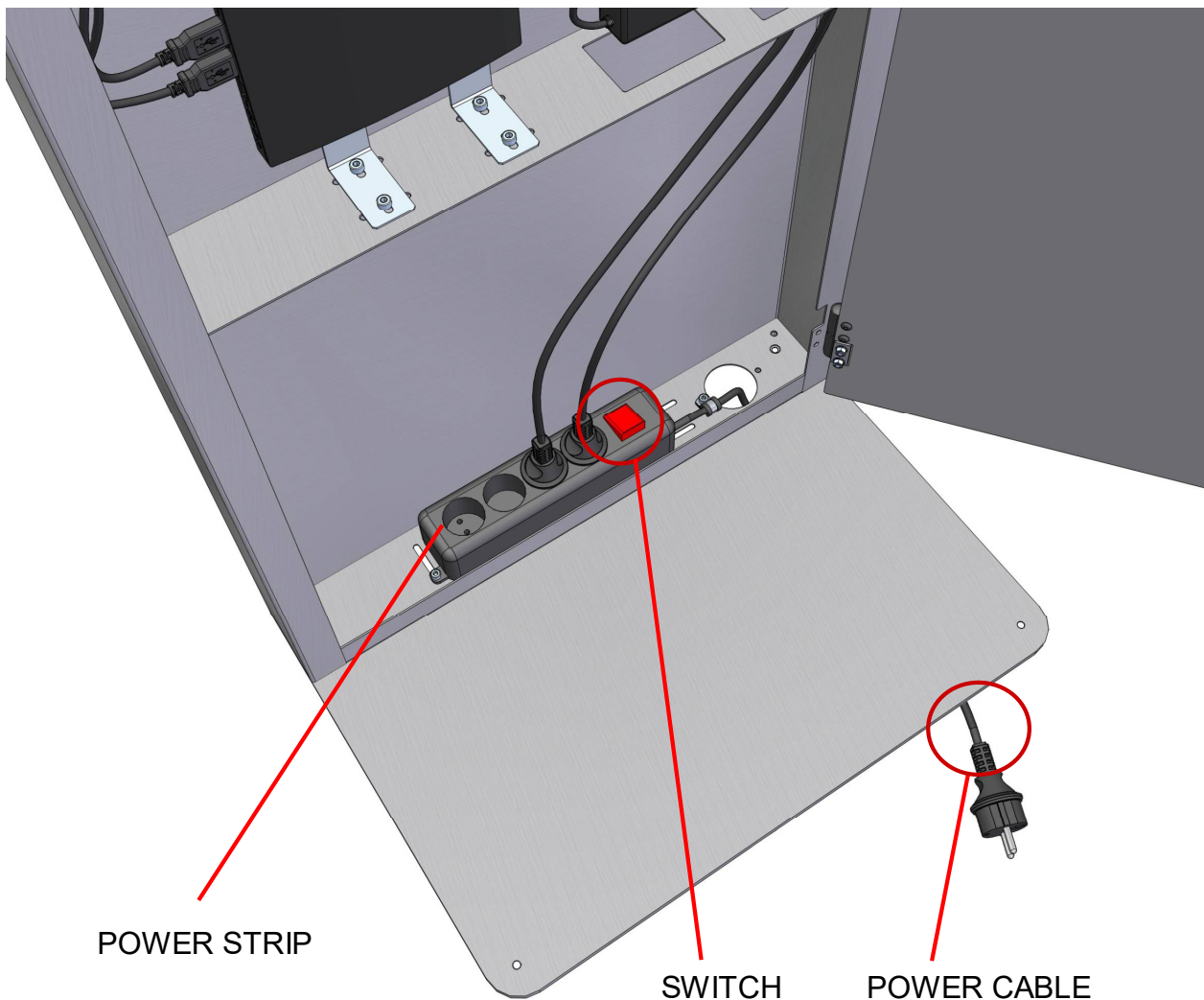
⚠ CAUTION

Before switching on, check the integrity of the power strip; if it shows signs of damage or is not fixed to the structure, do not connect the device to the electrical mains and contact the manufacturer.

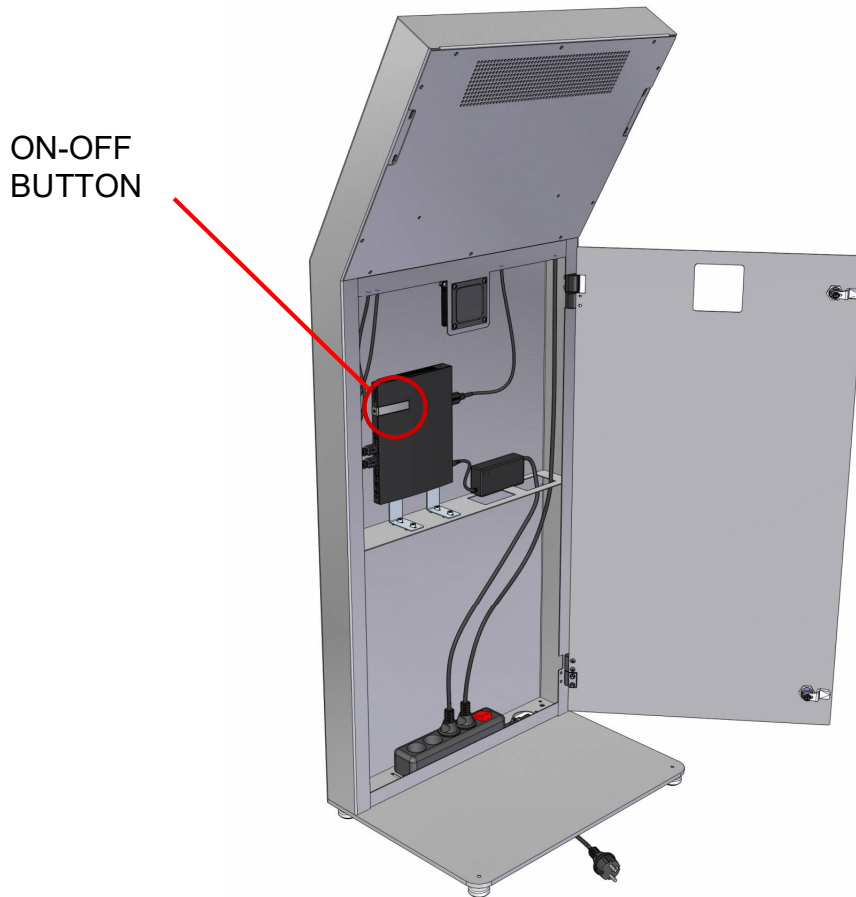
Do not insert any additional plugs into the power strip

⚠ CAUTION

Any modification of the kiosk and connection of additional equipment to the multi-socket is prohibited if not accepted with written communication from the manufacturer



SWITCHING THE KIOSK ON AND OFF



Turning on the kiosk:

Press the ON-OFF button on the computer located under the monitor and wait a few minutes until the home page appears on the monitor.

N.B.

The computer image is purely indicative and may differ based on the type of kiosk supplied.

Turning off the kiosk:

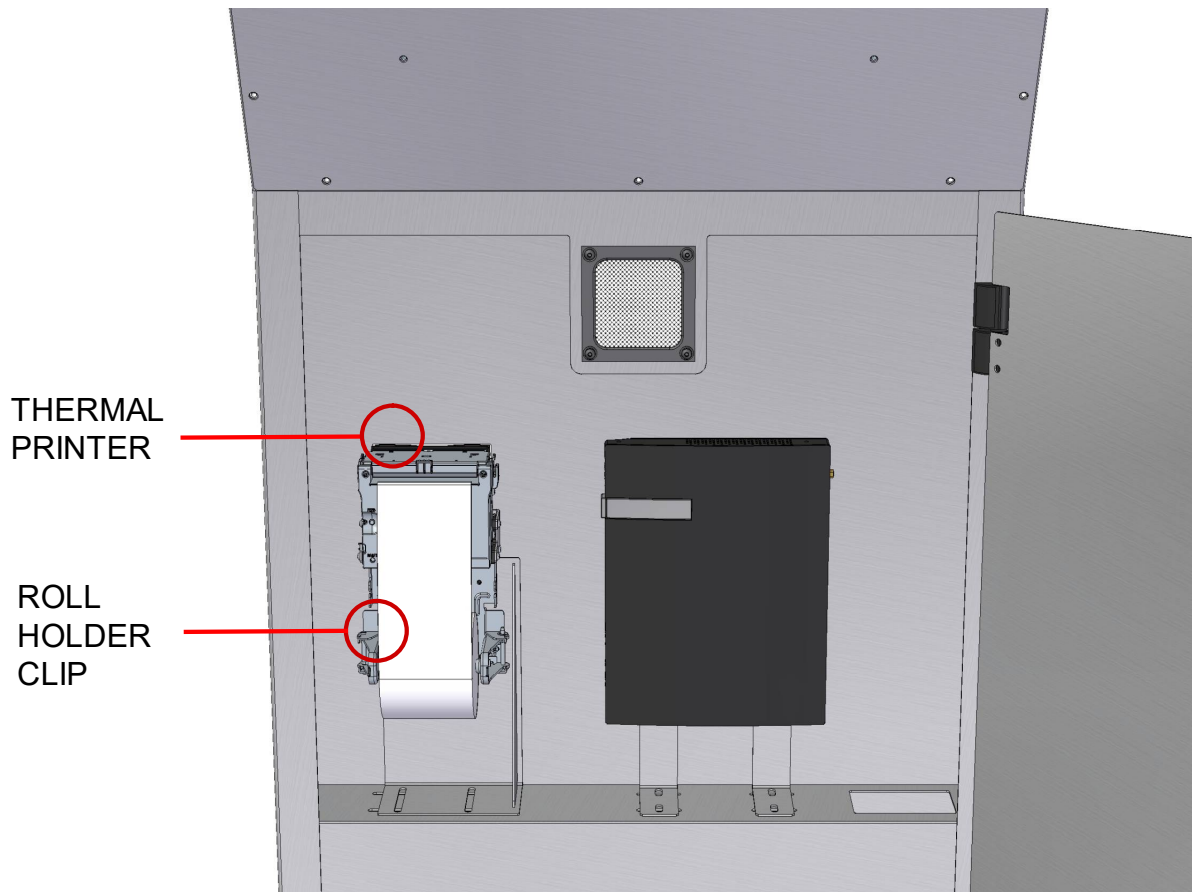
Press the computer's ON-OFF button again.

Wait until the LED on the ON-OFF button is off and then also turn off the main switch.

⚠ CAUTION

When the kiosk is not in use, disconnect the main power cable.

MAINTENANCE OF INTEGRATED DEVICES



In the versions of the kiosk supplied with integrated panel devices (thermal printers, card readers, banknote acceptors) it is possible to easily inspect these devices by opening the rear door.

To replace the roll of thermal paper, widen the roll holder clips and insert the new roll of paper. Then insert the edge of the roll into the printing nozzle until the printer mechanism activates, dragging the paper inside the nozzle.

⚠ CAUTION

Before carrying out maintenance operations on the installed peripherals, turn off and remove power from the kiosk. In any case, refer to the technical manuals issued by the manufacturers of the devices integrated into the kiosk.

DEVICE MAINTENANCE

CAUTION

BEFORE ANY MAINTENANCE OR CLEANING OPERATION, THE KIOSK MUST BE TURNED OFF AND THE POWER CABLE DISCONNECTED FROM THE POWER SOCKET.

CAUTION

REGULARLY CHECK (EVERY 3 MONTHS) THE STABILITY OF THE STRUCTURE, THE STATUS OF THE CABLES, THE INTEGRITY OF THE MULTIPLE SOCKET AND THE CORRECT INSTALLATION OF THE PRODUCT.

IF NECESSARY, ADJUST THE SUPPORT FEET OR FIXING DEVICES AS DESCRIBED ON PAGE 8/9.

IF THE POWER CABLE OF THE KIOSK OR ONE OF THE POWER CABLES OF THE EQUIPMENT INSTALLED ON THE KIOSK SHOWS SIGNS OF WEAR OR TEARS, IMMEDIATELY DISCONNECT THE DEVICE FROM THE ELECTRICITY MAINS AND CONTACT THE MANUFACTURER

EXTERNAL CASE :

Material = Painted steel

Cleaning = Neutral detergent diluted in water, absolutely avoid detergents based on thinners that are aggressive to paints.

TOUCH SCREEN MONITOR

Cleaning = Use a microfibre cloth moistened only with water. All detergents based on aggressive agents such as alcohol, ammonia, etc. should be excluded.

For models with optical or IR touchscreen, when cleaning, pay attention not to scratch or dull the touchscreen sensors positioned between the glass and the external body.

COOLING FAN (for models with ventilation):

Periodically clean the grill on the rear door near the fan from dust, so that the holes for the passage of hot air are not blocked.



Pro.In.Service declares that models containing modules with Wifi and/or Bluetooth radio equipment comply with Directive 2014/53/EU. The complete text of the EU declaration of conformity is available at the following internet address: <https://www.gruppoitec.net/certificazioni.html>

This equipment complies with the following Community Directives:

Direttiva RED 2014/53/UE (con WIFI e/o Bluetooth)
Direttive LVD 2014/35/UE e EMC 2014/30/UE (senza WIFI e/o Bluetooth)
Direttiva RoHS 2011/65/UE e 2015/863

Alimentazione: 110 ÷ 240 V, 50/60Hz 14A

	<p>This product contains electrical and electronic components and should not be treated as household waste. Do not throw the battery in household waste. Battery, electrical and electronic components must be dismantled and separated and delivered to specific authorized separate collection centers for waste recycling. Improper management of waste disposal can have a negative impact on the environment and human health.</p>
--	---

ATTENTION: If you have not understood the instructions contained in this manual or have any doubts regarding the use or safety of the installation, contact the manufacturer directly. Do not use the product for a purpose or in a configuration not expressly specified in these instructions. We decline any responsibility for damages resulting from incorrect assembly, incorrect assembly or incorrect use of the product.

MANUFACTURER :

PRO.IN.SERVICE

Via Baccanello 49

24030 TERNO D'ISOLA

BERGAMO – ITALIA

Tel. 035-461114

Fax. 035-19967939

E-mail info@gruppoitec.com